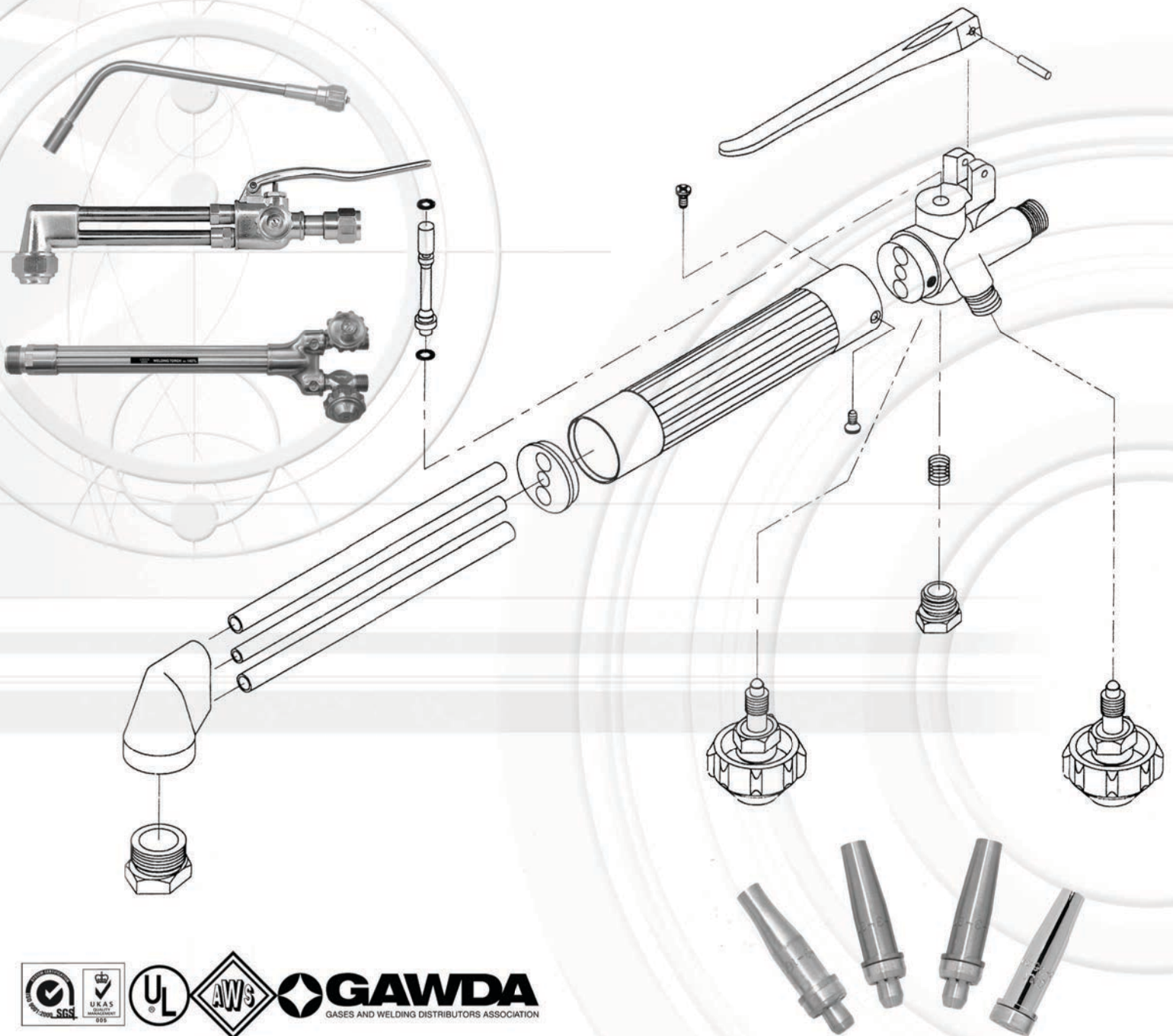


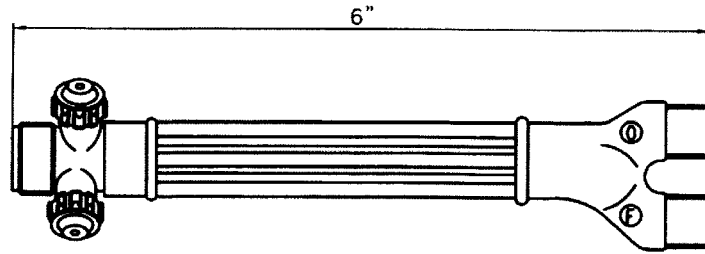


# GENSTAR TECHNOLOGIES

## Gas Welding & Cutting Apparatus Repair Parts Catalog

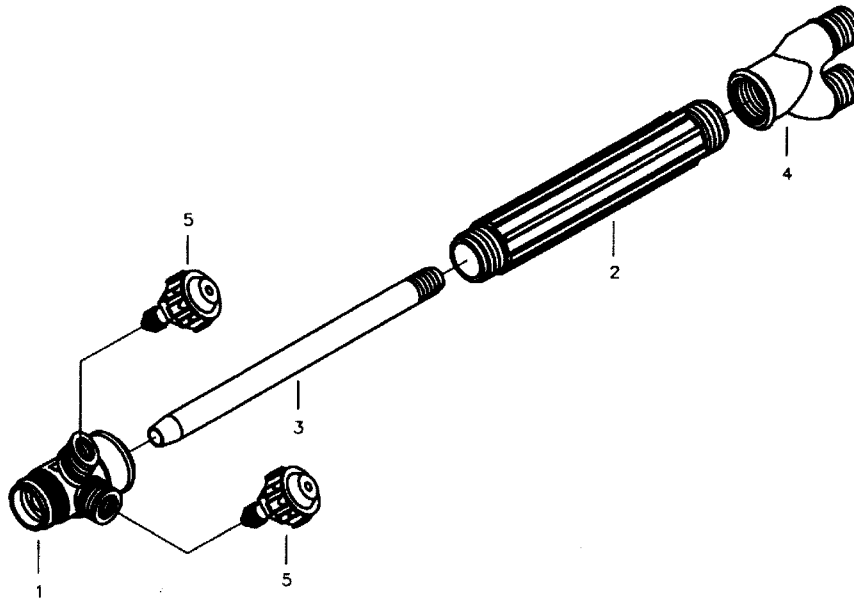


Sustaining Member



## MODEL INFORMATION

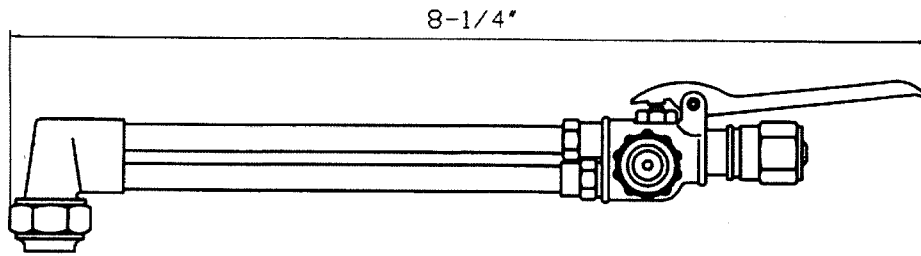
MODEL NUMBER	WELDING RANGE	WEIGHT	LENGTH	VICTOR EQUIVALENT	USES CUTTING ATTACHMENT	USES WELDING NOZZLE	USES HEATING NOZZLE
140T	1-1/4"	8-1/2 oz.	6"	J-28	141C	171W 871W	171H



REF NO.	DESCRIPTION	MODEL NUMBER	REF NO.	DESCRIPTION	MODEL NUMBER
		140T			140T
1	Torch Head	T140-01	4	Body "Y"	T140-02
2	Barrel	T140-04	★5	Valve Stem Assembly	T140-82
3	Inner Tube	T140-03			

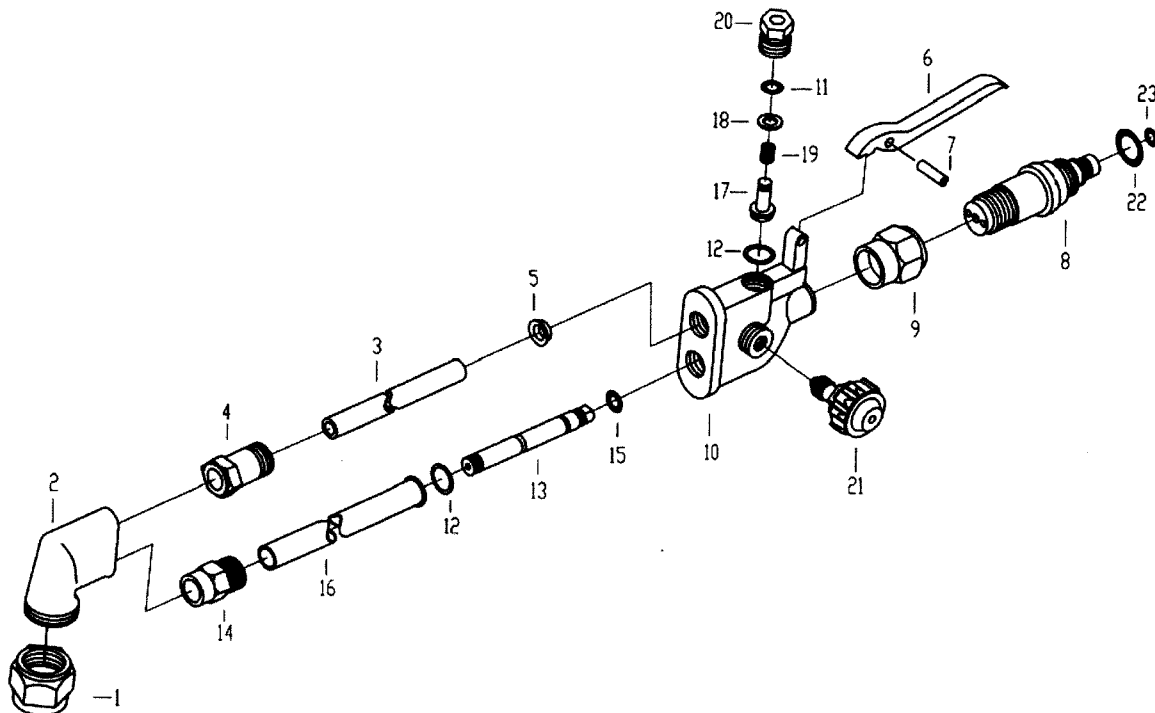
★ Items most commonly required for torch handle repair and recommended for stock.

Repair kits include these items.



## MODEL INFORMATION

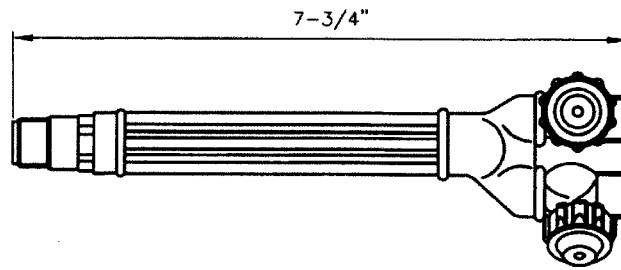
MODEL NUMBER	CUTTING RANGE	WEIGHT	LENGTH	VICTOR EQUIVALENT	USES TORCH HANDLE	USES CUTTING TIP
141C	3"	13.8 oz.	8-1/4"	CA1260	140T 141T 141TA	172C 172CN



REF NO.	DESCRIPTION	MODEL NUMBER	REF NO.	DESCRIPTION	MODEL NUMBER
		141C			141C
★1	Tip Nut	T110-01B	★13	Mixer Tube Assembly	T110-81E
2	Cutting Head	T110-02	★14	Nut	T110-06
3	Tube	T110-04	★15	O-Ring	T110-41
★4	Nut	T110-03	16	Tube	T110-07
★5	Washer	T110-05	★17	Valve Seat	T110-83
6	Lever	T110-49B	18	Washer	T110-40
7	Pin	T110-46	19	Spring	T110-39B
8	Mixer	T110-25	20	Valve Cap	T110-44B
9	Nut	T110-23B	★21	Valve Stem Assembly	T110-82
10	Body	T110-20B	★22	O-Ring	T110-26
★11	O-Ring	T110-41	★23	O-Ring	T110-27
12	Washer	T110-13			

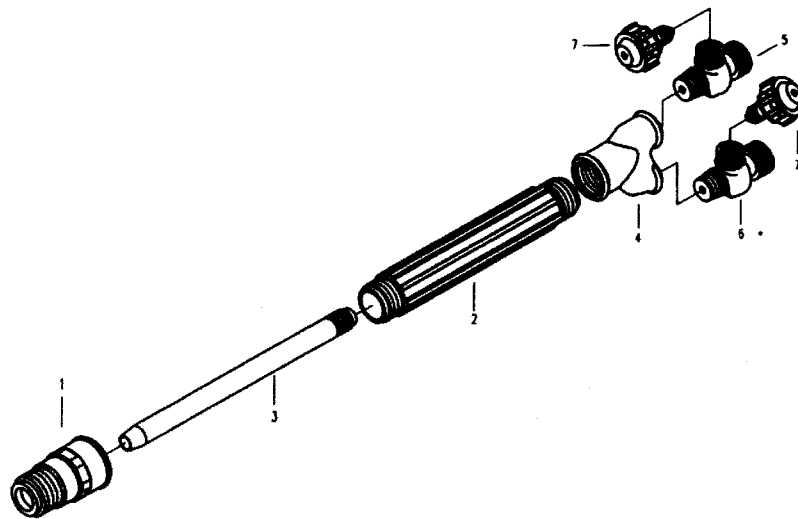
★Items most commonly required for cutting attachment repair and recommended for stock.

Repair kits include these items.



## MODEL INFORMATION

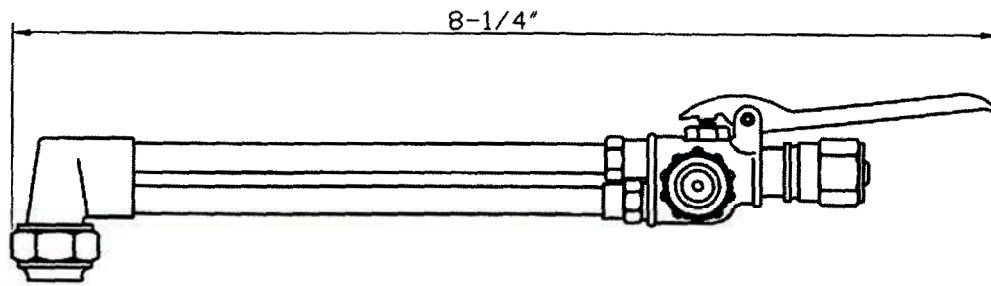
MODEL NUMBER	WELDING RANGE	WEIGHT	LENGTH	VICTOR EQUIVALENT	USES CUTTING ATTACHMENT	USES WELDING NOZZLE	USES HEATING NOZZLE
141T 141TA	1-1/4"	13.3 oz.	7-3/4"	J-100C	141C	171W 871W 881W	171H



REF NO.	DESCRIPTION	MODEL NUMBER		REF NO.	DESCRIPTION	MODEL NUMBER	
		141T	141TA			141T	141TA
1	Torch Head	T110-50	T110-50	5	Valve Body	T110-55	T110-55A
2	Barrel	T110-52	T110-52	6	Valve Body	T110-56	T110-56A
3	Inner Oxygen Tube	T110-53	T110-53	★7	Valve Stem Assembly	T110-84	T110-84
4	Body "Y"	T110-54	T110-54				

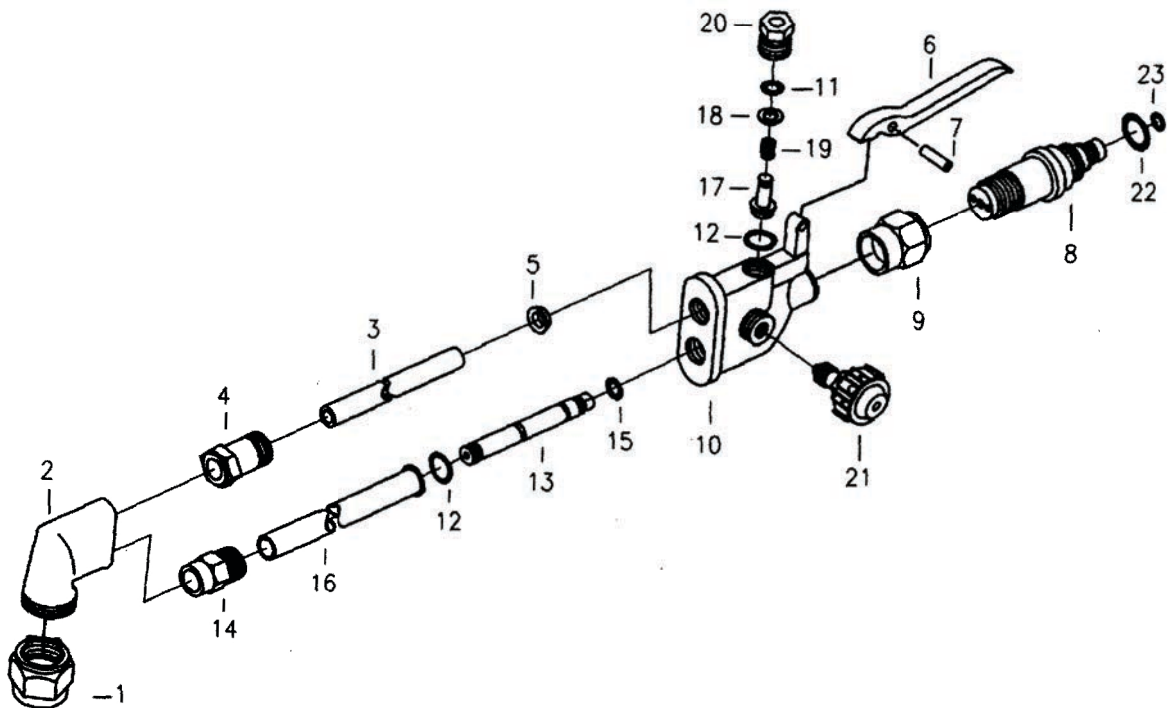
★ Items most commonly required for torch handle repair and recommended for stock.

Repair kits include these items.



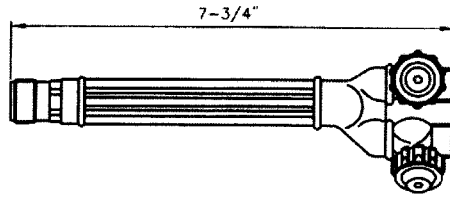
**MODEL INFORMATION**

MODEL NUMBER	CUTTING RANGE	WEIGHT	LENGTH	VICTOR EQUIVALENT	USES TORCH HANDLE	USES CUTTING TIP
142C	6"	14 oz.	8-1/4"	CA1350	142T	172C 172CN



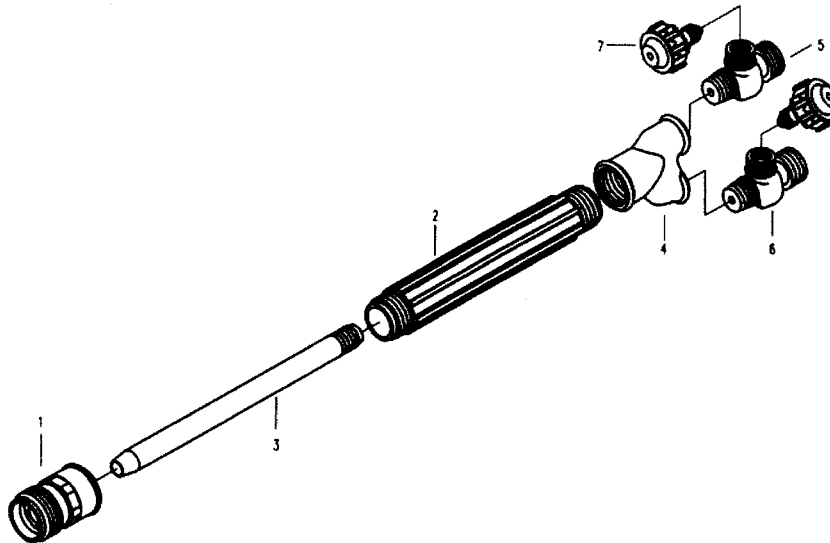
REF NO.	DESCRIPTION	MODEL NUMBER	REF NO.	DESCRIPTION	MODEL NUMBER
		142C			142C
★1	Tip Nut	T110-01B	★13	Mixer Tube Assembly	T110-81E
2	Cutting Head	T110-02	★14	Nut	T110-06
3	Tube	T110-04	★15	O-Ring	T110-41
★4	Nut	T110-03	16	Tube	T110-07
★5	Washer	T110-05	★17	Valve Seat	T110-83
6	Lever	T110-49B	18	Washer	T110-40
7	Pin	T110-46	19	Spring	T110-39B
8	Mixer	T110-25	20	Valve Cap	T110-44B
9	Nut	T120-23B	★21	Valve Stem Assembly	T110-82
10	Body	T110-20B	★22	O-Ring	T110-26
★11	O-Ring	T110-41	★23	O-Ring	T110-27
12	Washer	T110-13			

★ Items most commonly required for cutting attachment repair and recommended for stock.  
 Repair kits include these items.



## MODEL INFORMATION

MODEL NUMBER	WELDING RANGE	WEIGHT	LENGTH	VICTOR EQUIVALENT	USES CUTTING ATTACHMENT	USES WELDING NOZZLE	USES HEATING NOZZLE
142T 142TA	1-1/4"	13.4 oz.	7-3/4"	100C	142C	172W 172WRTE 872W 882W	172H 172HN 872H

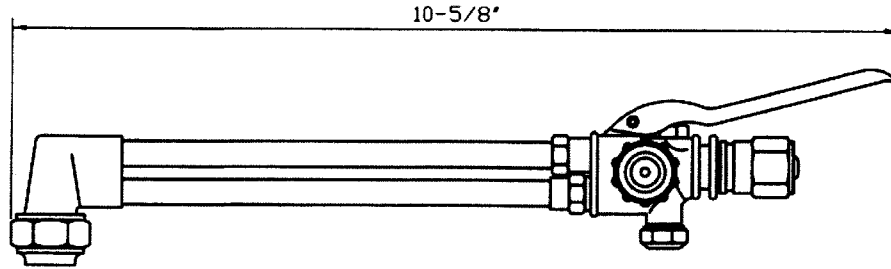


REF NO.	DESCRIPTION	MODEL NUMBER		REF NO.	DESCRIPTION	MODEL NUMBER	
		142T	142TA			142T	142TA
1	Torch Head	T120-50	T120-50	5	Valve Body	T110-55	T110-55A
2	Barrel	T110-52	T110-52	6	Valve Body	T110-56	T110-56A
3	Inner Oxygen Tube	T110-53	T110-53	★7	Valve Stem Assembly	T110-84	T110-84
4	Body "Y"	T110-54	T110-54				

★ Items most commonly required for torch handle repair and recommended for stock.

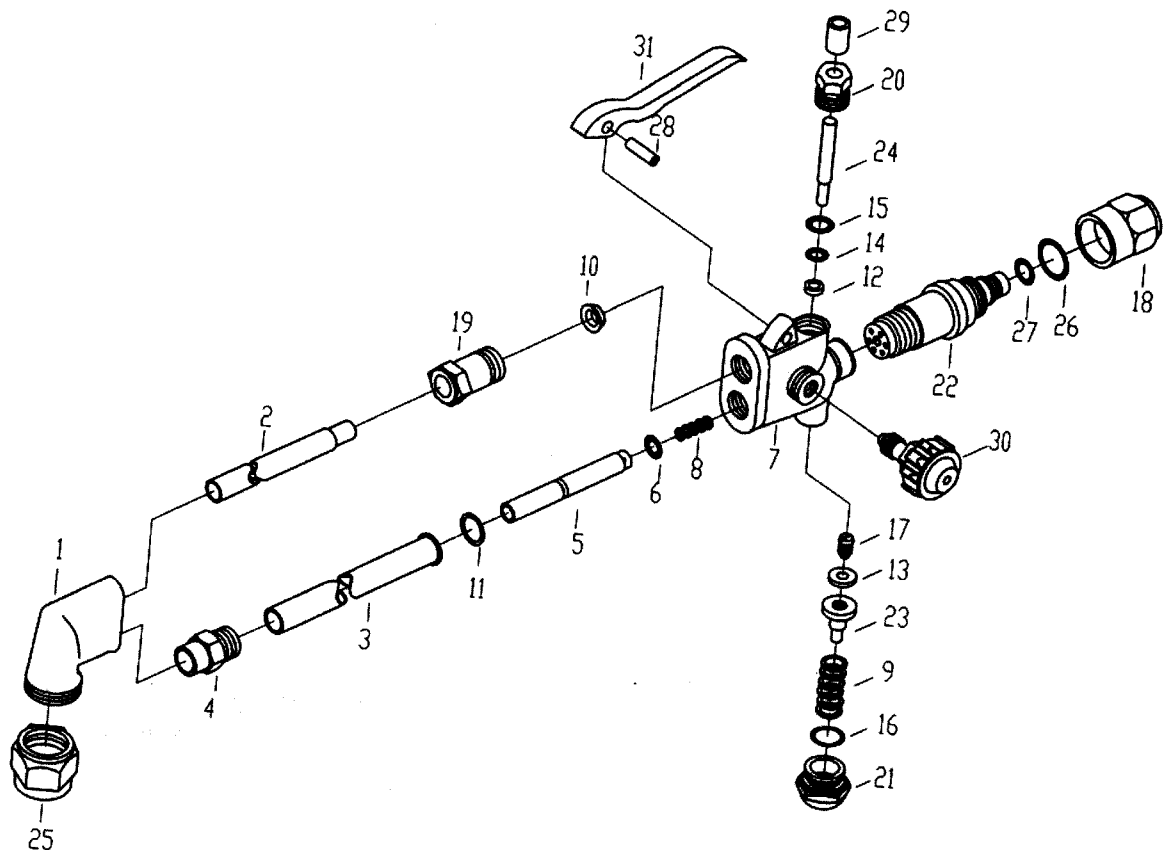
Repair kits include these items.





**MODEL INFORMATION**

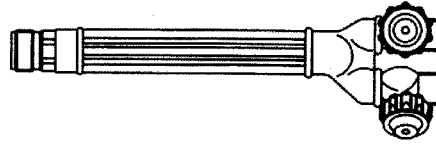
MODEL NUMBER	CUTTING RANGE	WEIGHT	LENGTH	VICTOR EQUIVALENT	USES TORCH HANDLE	USES CUTTING TIP
143CA	8"	1 lb. 14 oz.	10-5/8"	CA2460	143T 143TL 143TLH	173C 173CN



REF NO.	DESCRIPTION	MODEL NUMBER	REF NO.	DESCRIPTION	MODEL NUMBER
		143CA			143CA
1	Cutting Head	T130-02B	17	Seat Screw	T130-38B
2	Oxygen Tube	T130-04	18	Nut	T130-23B
3	Acetylene Tube	T130-07	★19	Oxygen Tube Nut	T130-03
★4	Acetylene Tube Nut	T130-06	20	Valve Cap	T130-44B
★5	Mixer Tube Assembly	T130-81C	21	Valve Plug	T130-47
★6	O-Ring	T130-12	22	Cone End	T130-25
7	Body	T130-20B	23	Seat Holder	T130-37B
8	Spring	T130-15	24	Valve Stem	T130-48
9	Spring	T130-39B	★25	Tip Nut	T130-01B
★10	Ferrule	T130-05	★26	O-Ring	T130-26
11	Gasket	T130-13	★27	O-Ring	T130-27
12	Felt Washer	T130-45	28	Lever Pin	T130-46B
13	Seat	T130-36B	29	Dust Seal	T130-43B
★14	O-Ring	T110-41	★30	Valve Stem Assembly	T130-82
★15	O-Ring	T130-12	31	Lever	T130-49B
★16	O-Ring	T160-12			

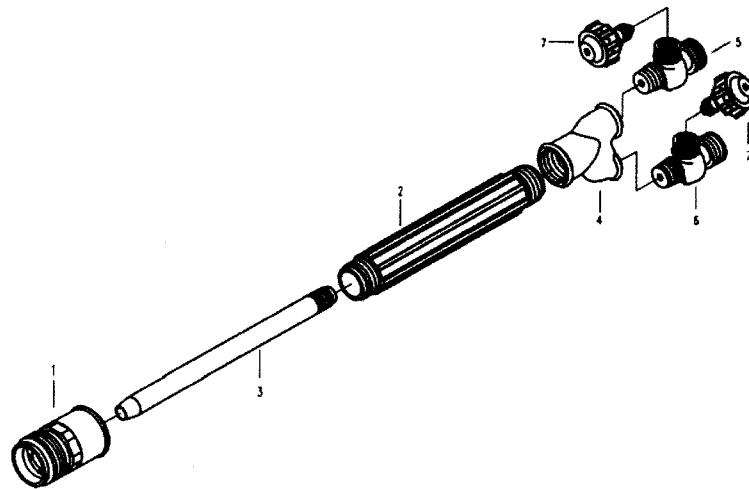
★Items most commonly required for cutting attachment repair and recommended for stock.

Repair kits include these items.



## MODEL INFORMATION

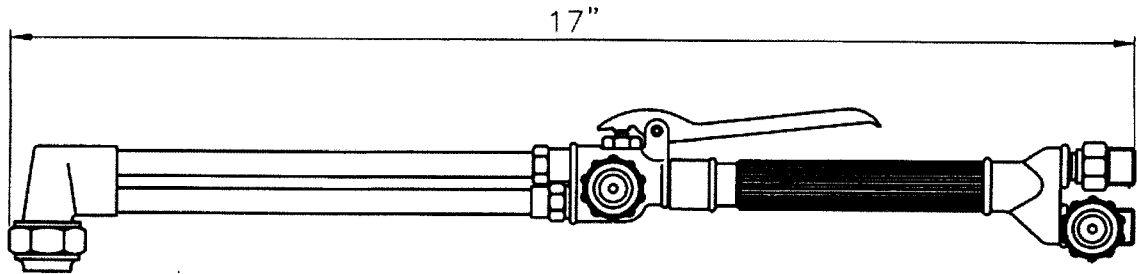
MODEL NUMBER	WELDING RANGE	WEIGHT	LENGTH	VICTOR EQUIVALENT	USES CUTTING ATTACHMENT	USES WELDING NOZZLE	USES HEATING NOZZLE
143T	3"	1lb 2 oz.	8-1/2"	315C	143CA	173W	173H
143TL		1lb 5 oz.	11"	310C		173WRTE	173HN
143TLH		1lb 12 oz.	11"	HD310C		173WRTEN	175HN
						873W	873H
						883W	



REF NO.	DESCRIPTION	MODEL NUMBER		
		143T	143TL	143TLH
1	Torch Head	T130-50	T130-50	T130-50N
2	Barrel	T130-52	T130-52L	T130-52L
3	Inner Oxygen Tube	T130-53	T130-53L	T130-53L
4	Body "Y"	T130-54	T130-54	T130-54
5	Valve Body	T130-55	T130-55	T130-55
6	Valve Body	T130-56	T130-56	T130-56
★7	Valve Stem Assembly	T130-82	T130-82	T130-82

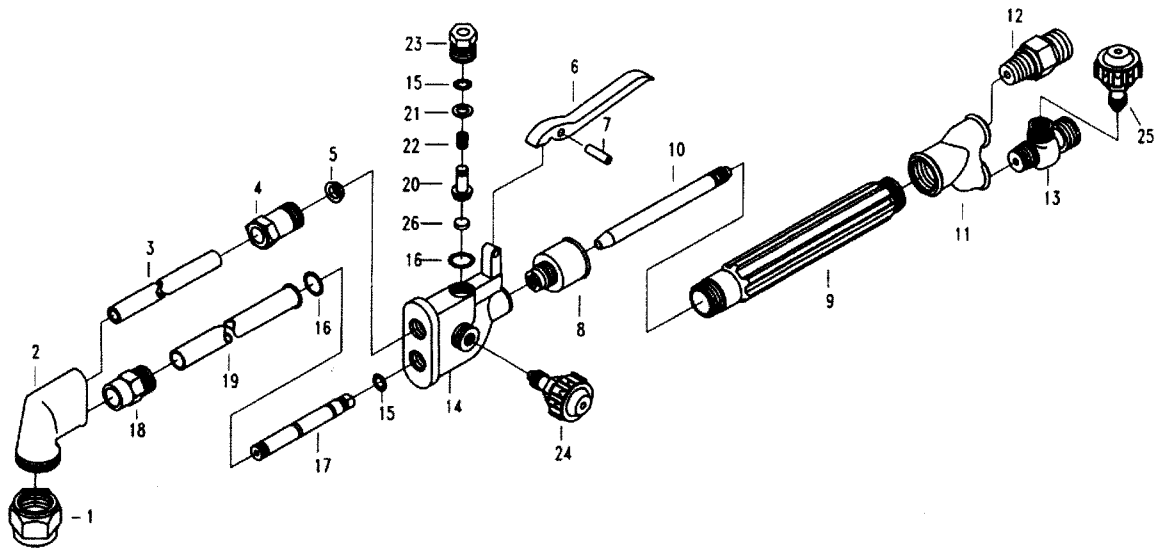
★ Items most commonly required for torch handle repair and recommended for stock.

Repair kits include these items.



**MODEL INFORMATION**

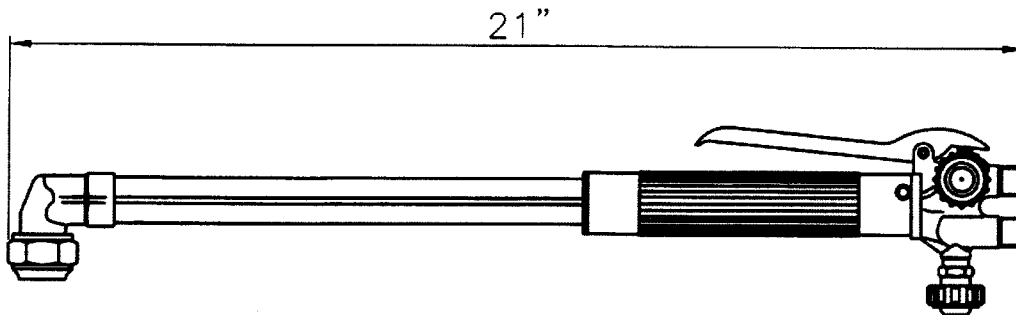
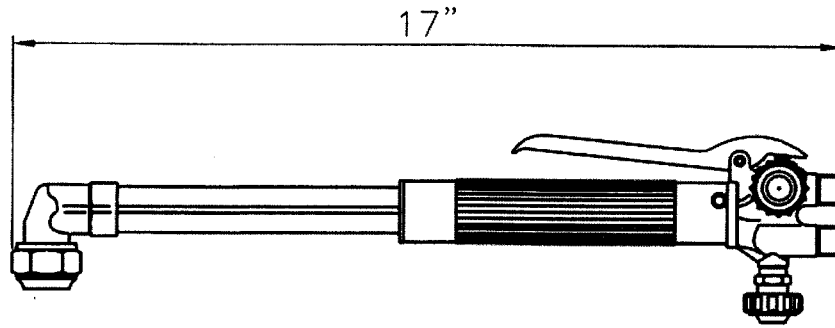
MODEL NUMBER	CUTTING RANGE	WEIGHT	LENGTH	VICTOR EQUIVALENT	USES CUTTING TIP
161S	6"	1 lb. 10 oz.	17"	CST800C	172C 172CN



REF NO.	DESCRIPTION	MODEL NUMBER	REF NO.	DESCRIPTION	MODEL NUMBER
		161S			161S
★1	Tip Nut	T110-01B	14	Body	T110-20B
2	Cutting Head	T110-02	★15	O-Ring	T110-41
3	H.P. Oxygen	T162-04	16	Washer	T110-13
★4	Tube Nut	T110-03	★17	Mixer Tube Assembly	T110-81B
★5	Ferrule	T110-05	★18	Tube Nut	T110-06
6	Lever	T110-49B	19	Acetylene Tube	T162-07
7	Lever Pin	T110-46	★20	Valve Seat	T110-83
8	Torch Head	T162-25	21	Washer	T110-40
9	Barrel	T162-52	22	Spring	T110-39B
10	Inner Oxygen Tube	T110-53	23	Valve Gland	T110-44B
11	Body "Y"	T110-54	★24	Valve Stem Assembly	T110-82
12	Connector	T162-55	★25	Valve Stem Assembly	T110-84
13	Valve Body	T110-56			

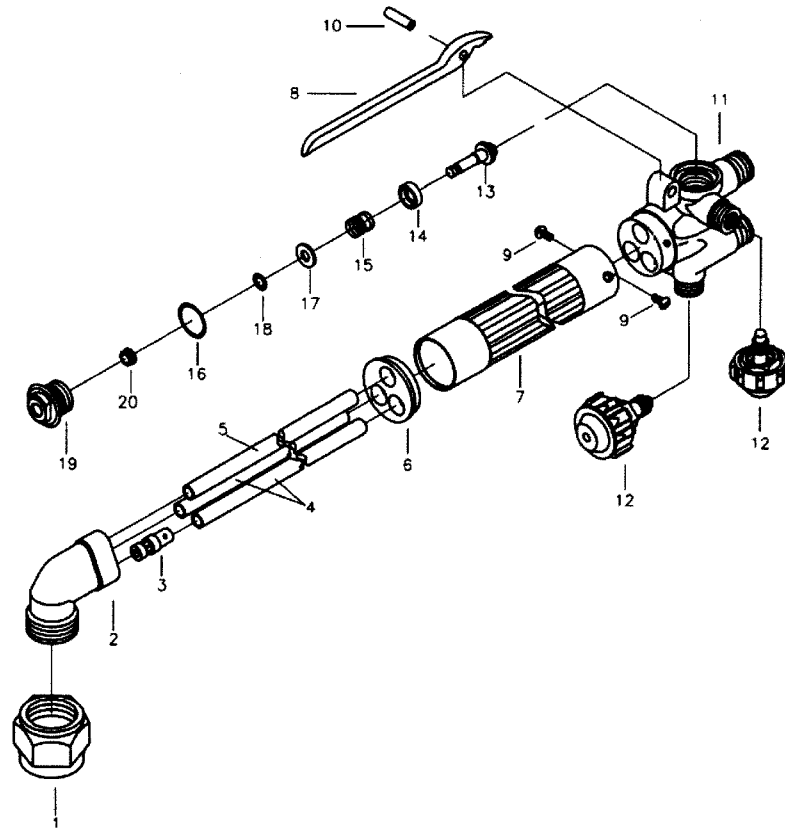
★Items most commonly required for hand cutting torch repair and recommended for stock.

Repair kits include these items.



**MODEL INFORMATION**

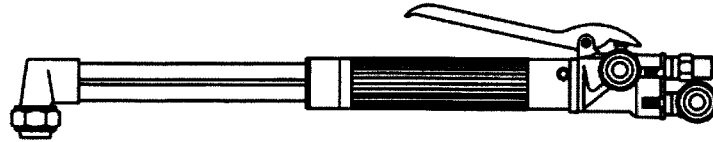
MODEL NUMBER	CUTTING RANGE	LENGTH	VICTOR EQUIVALENT	USES CUTTING TIP
162S	6"	17"	SST900C	173C
162L		21"	ST900C	173CN



REF NO.	DESCRIPTION	MODEL NUMBER		REF NO.	DESCRIPTION	MODEL NUMBER	
		162S	162L			162S	162L
★1	Tip Nut	T130-01B	T130-01B	11	Body	T162-20	T162-20
2	Cutting Head	T162-02	T162-02	★12	Valve Stem Assembly	T130-82	T130-82
3	Mixing Tube	T162-107	T162-107	★13	Seat Assembly	T130-83	T130-83
4	Tube	T162-104	T162-106	14	Seat Assembly Bushing	T130-38	T130-38
5	Tube	T162-103	T162-105	15	Spring	T130-39	T130-39
6	Collar	T162-09	T162-09	★16	O-Ring	T130-42	T130-42
7	Barrel	T162-14	T162-14	17	Washer	T130-40	T130-40
8	Lever	T160-49	T160-49	★18	O-Ring	T110-41	T110-41
9	Screw	T360-16	T360-16	19	Valve Cap	T130-44	T130-44
10	Lever Pin	T130-46	T130-46	★20	Valve Cap Packing	T130-43	T130-43

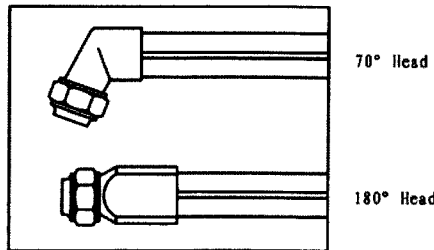
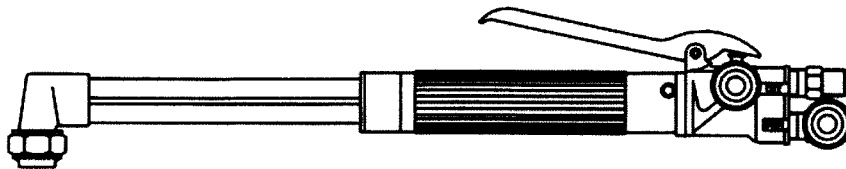
★Items most commonly required for hand cutting torch repair and recommended for stock.

Repair kits include these items.



**MODEL INFORMATION**

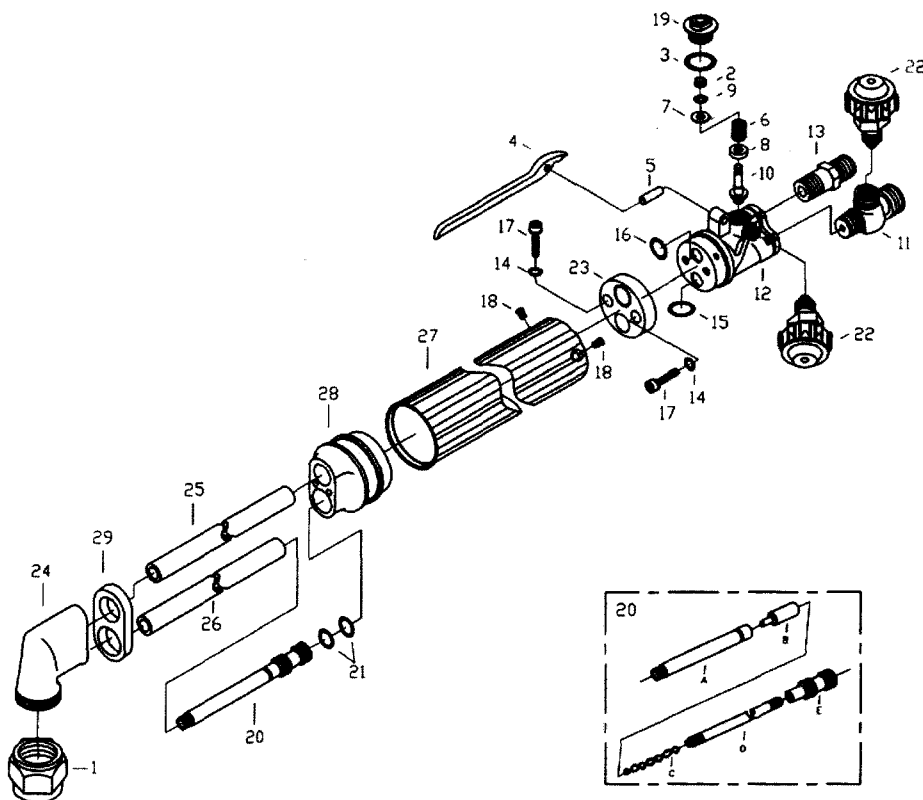
MODEL NUMBER	CUTTING RANGE	LENGTH	VICTOR EQUIVALENT	USES CUTTING TIP
163S	14"	17"	SST1600C	173C 173CN



**MODEL INFORMATION**

MODEL NUMBER	HEAD ANGLE (DEGREES)	LENGTH	VICTOR EQUIVALENT	USES CUTTING TIP
163L	90°	21"	ST1600C	173C 173CN
163L-27	90°	27"		
163L-36	90°	36"		
163L-48	90°	48"		
163AL	70°	21"		
163AL-27	70°	27"		
163AL-36	70°	36"		
163AL-48	70°	48"		
163SL	180°	21"		
163SL-27	180°	27"		
163SL-36	180°	36"		
163SL-48	180°	48"		





REF NO.	DESCRIPTION	MODEL NUMBER						
		163S	163L	163L-27	163L-36	163L-48	163AL	163AL-27
A	Mixing Tube	T160-07	T160-07	T160-07	T160-07	T160-07	T160-07	T160-07
B	Mixer	T160-08	T160-08	T160-08	T160-08	T160-08	T160-08	T160-08
C	Spiral	T160-09	T160-09	T160-09	T160-09	T160-09	T160-09	T160-09
D	Inner Oxygen Tube	T160-10	T170-10	T170-10M	T170-10L	T170-10A	T170-10	T170-10M
E	Segregator	T160-11	T160-11	T160-11	T160-11	T160-11	T160-11	T160-11

REF NO.	DESCRIPTION	MODEL NUMBER					
		163AL-36	163AL-48	163SL	163SL-27	163SL-36	163SL-48
A	Mixing Tube	T160-07	T160-07	T160-07	T160-07	T160-07	T160-07
B	Mixer	T160-08	T160-08	T160-08	T160-08	T160-08	T160-08
C	Spiral	T160-09	T160-09	T160-09	T160-09	T160-09	T160-09
D	Inner Oxygen Tube	T170-10L	T170-10A	T170-10	T170-10M	T170-10L	T170-10A
E	Segregator	T160-11	T160-11	T160-11	T160-11	T160-11	T160-11

REF NO.	DESCRIPTION	MODEL NUMBER				
		163S	163L	163L-27	163L-36	163L-48
★1	Tip Nut	T130-01B	T130-01B	T130-01B	T130-01B	T130-01B
2	Packing	T130-43	T130-43	T130-43	T130-43	T130-43
★3	O-Ring	T130-42	T130-42	T130-42	T130-42	T130-42
4	Lever	T160-49	T160-49	T160-49	T160-49	T160-49
5	Pin	T130-46	T130-46	T130-46	T130-46	T130-46
6	Spring	T130-39	T130-39	T130-39	T130-39	T130-39
7	Washer	T130-40	T130-40	T130-40	T130-40	T130-40
8	Washer	T130-38	T130-38	T130-38	T130-38	T130-38
★9	O-Ring	T110-41	T110-41	T110-41	T110-41	T110-41
★10	Valve Seat	T130-83	T130-83	T130-83	T130-83	T130-83
11	Acetylene Valve Body	T130-56	T130-56	T130-56	T130-56	T130-56
12	Body	T160-20	T160-20	T160-20	T160-20	T160-20
13	Oxygen Valve Body	T160-55	T160-55	T160-55	T160-55	T160-55
14	Washer	T160-17	T160-17	T160-17	T160-17	T160-17
★15	O-Ring	T160-26	T160-26	T160-26	T160-26	T160-26
★16	O-Ring	T160-04	T160-04	T160-04	T160-04	T160-04
★17	Screw	T160-16	T160-16	T160-16	T160-16	T160-16
★18	Screw	T160-45	T160-45	T160-45	T160-45	T160-45
19	Valve Cap	T130-44	T130-44	T130-44	T130-44	T130-44
★20	Mixer Tube Assembly	T160-81	T170-81	T130-81-27	T130-81XL	T170-81A
★21	O-Ring	T160-12	T160-12	T160-12	T160-12	T160-12
★22	Valve Stem Assembly	T130-82	T130-82	T130-82	T130-82	T130-82
23	Barrel Seat	T160-15	T160-15	T160-15	T160-15	T160-15
24	Cutting Head	T160-02	T160-02	T160-02	T160-02	T160-02
25	Oxygen Tube	T160-03	T170-03	T170-03M	T170-03L	T170-03A
26	Acetylene Tube	T160-05	T170-05	T170-05M	T170-05L	T170-05A
27	Barrel	T160-14	T160-14	T160-14	T160-14	T160-14
28	Barrel Cap	T160-13	T160-13	T160-13	T160-13	T160-13
29	Brace For Long Tubes			T170-101	T170-101	T170-101

★ Items most commonly required for hand cutting torch repair and recommended for stock.

Repair kits include these items.

REF NO.	DESCRIPTION	MODEL NUMBER			
		163AL	163AL-27	163AL-36	163AL-48
★1	Tip Nut	T130-01B	T130-01B	T130-01B	T130-01B
2	Packing	T130-43	T130-43	T130-43	T130-43
★3	O-Ring	T130-42	T130-42	T130-42	T130-42
4	Lever	T160-49	T160-49	T160-49	T160-49
5	Pin	T130-46	T130-46	T130-46	T130-46
6	Spring	T130-39	T130-39	T130-39	T130-39
7	Washer	T130-40	T130-40	T130-40	T130-40
8	Washer	T130-38	T130-38	T130-38	T130-38
★9	O-Ring	T110-41	T110-41	T110-41	T110-41
★10	Valve Seat	T130-83	T130-83	T130-83	T130-83
11	Acetylene Valve Body	T130-56	T130-56	T130-56	T130-56
12	Body	T160-20	T160-20	T160-20	T160-20
13	Oxygen Valve Body	T160-55	T160-55	T160-55	T160-55
14	Washer	T160-17	T160-17	T160-17	T160-17
★15	O-Ring	T160-26	T160-26	T160-26	T160-26
★16	O-Ring	T160-04	T160-04	T160-04	T160-04
★17	Screw	T160-16	T160-16	T160-16	T160-16
★18	Screw	T160-45	T160-45	T160-45	T160-45
19	Valve Cap	T130-44	T130-44	T130-44	T130-44
★20	Mixer Tube Assembly	T170-81	T130-81-27	T130-81XL	T170-81A
★21	O-Ring	T160-12	T160-12	T160-12	T160-12
★22	Valve Stem Assembly	T130-82	T130-82	T130-82	T130-82
23	Barrel Seat	T160-15	T160-15	T160-15	T160-15
24	Cutting Head	T160-02A	T160-02A	T160-02A	T160-02A
25	Oxygen Tube	T170-03	T170-03M	T170-03L	T170-03A
26	Acetylene Tube	T170-05	T170-05M	T170-05L	T170-05A
27	Barrel	T160-14	T160-14	T160-14	T160-14
28	Barrel Cap	T160-13	T160-13	T160-13	T160-13
29	Brace For Long Tubes		T170-101	T170-101	T170-101

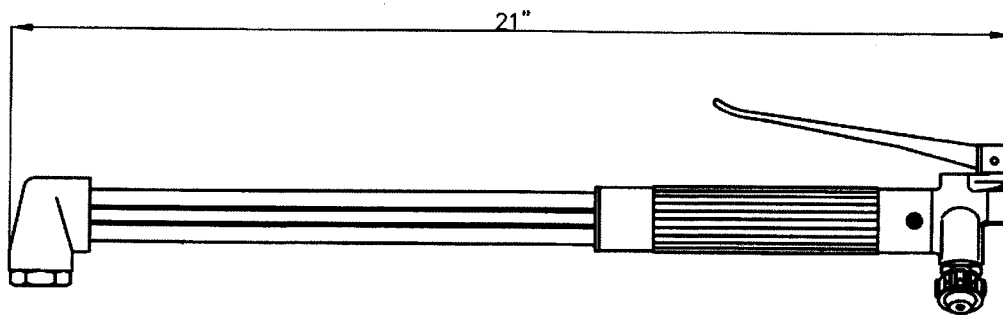
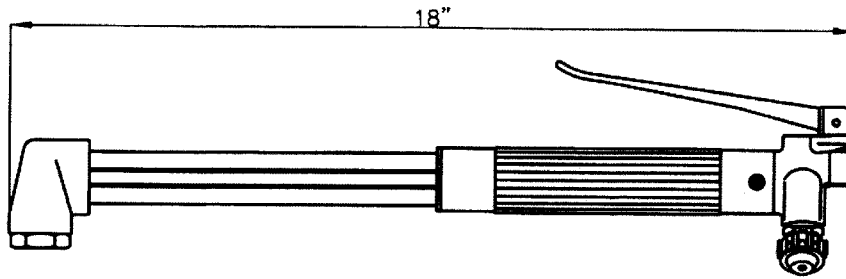
★Items most commonly required for hand cutting torch repair and recommended for stock.

Repair kits include these items.

REF NO.	DESCRIPTION	MODEL NUMBER			
		163SL	163SL-27	163SL-36	163SL-48
★1	Tip Nut	T130-01B	T130-01B	T130-01B	T130-01B
2	Packing	T130-43	T130-43	T130-43	T130-43
★3	O-Ring	T130-42	T130-42	T130-42	T130-42
4	Lever	T160-49	T160-49	T160-49	T160-49
5	Pin	T130-46	T130-46	T130-46	T130-46
6	Spring	T130-39	T130-39	T130-39	T130-39
7	Washer	T130-40	T130-40	T130-40	T130-40
8	Washer	T130-38	T130-38	T130-38	T130-38
★9	O-Ring	T110-41	T110-41	T110-41	T110-41
★10	Valve Seat	T130-83	T130-83	T130-83	T130-83
11	Acetylene Valve Body	T130-56	T130-56	T130-56	T130-56
12	Body	T160-20	T160-20	T160-20	T160-20
13	Oxygen Valve Body	T160-55	T160-55	T160-55	T160-55
14	Washer	T160-17	T160-17	T160-17	T160-17
★15	O-Ring	T160-26	T160-26	T160-26	T160-26
★16	O-Ring	T160-04	T160-04	T160-04	T160-04
★17	Screw	T160-16	T160-16	T160-16	T160-16
★18	Screw	T160-45	T160-45	T160-45	T160-45
19	Valve Cap	T130-44	T130-44	T130-44	:-OT130-44
★20	Mixer Tube Assembly	T170-81	T130-81-27	T130-81XL	T170-81A
★21	O-Ring	T160-12	T160-12	T160-12	T160-12
★22	Valve Stem Assembly	T130-82	T130-82	T130-82	T130-82
23	Barrel Seat	T160-15	T160-15	T160-15	T160-15
24	Cutting Head	T160-02S	T160-02S	T160-02S	T160-02S
25	Oxygen Tube	T170-03	T170-03M	T170-03L	T170-03A
26	Acetylene Tube	T170-05	T170-05M	T170-05L	T170-05A
27	Barrel	T160-14	T160-14	T160-14	T160-14
28	Barrel Cap	T160-13	T160-13	T160-13	T160-13
29	Brace For Long Tubes		T170-101	T170-101	T170-101

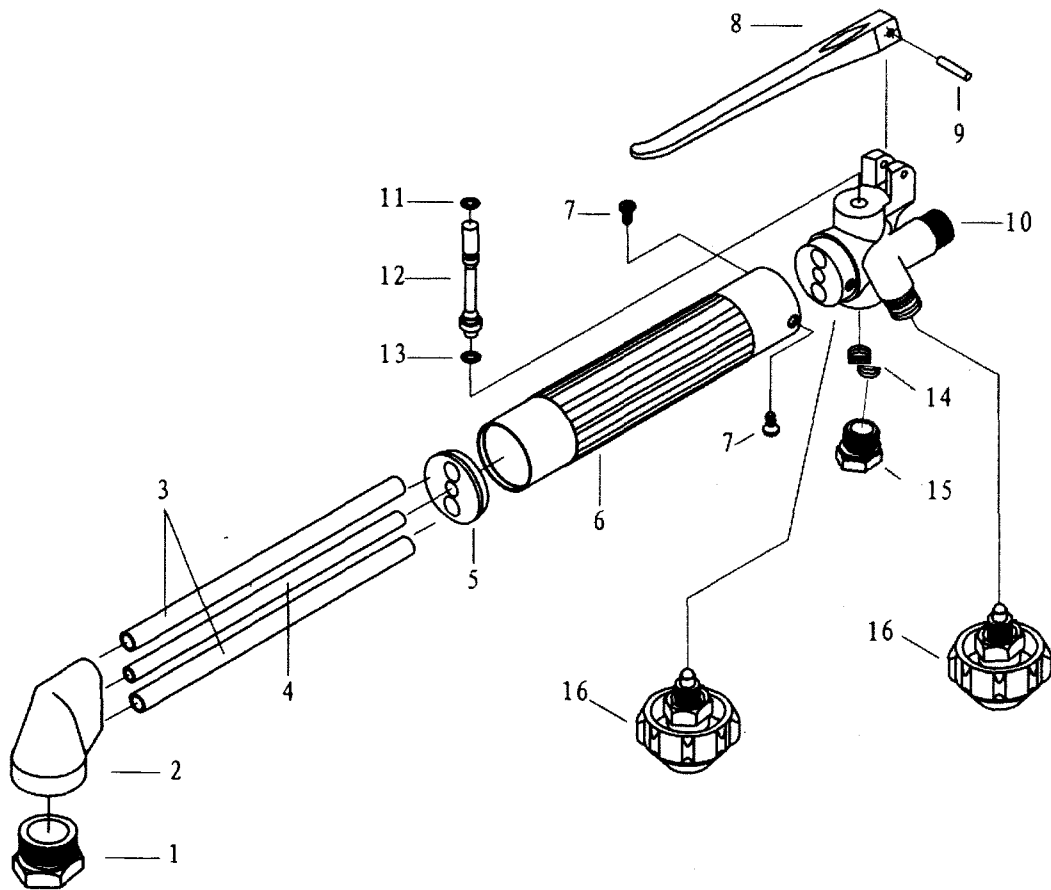
★Items most commonly required for hand cutting torch repair and recommended for stock.

Repair kits include these items.



**MODEL INFORMATION**

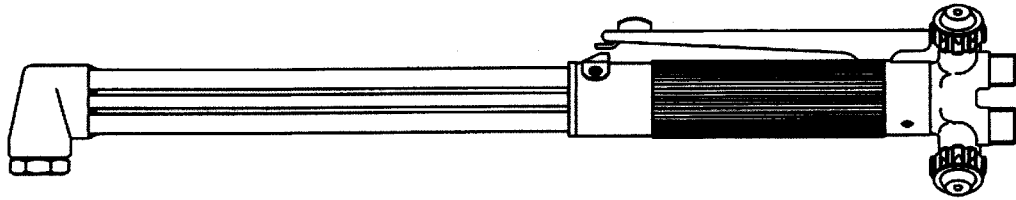
MODEL NUMBER	CUTTING RANGE	WEIGHT	LENGTH	USES CUTTING TIP
263S	12"	2 lbs.	18"	672C AIRCO STYLE CUTTING TIPS
263L		2 lbs. 4 oz.	21"	



REF NO.	DESCRIPTION	MODEL NUMBER		REF NO.	DESCRIPTION	MODEL NUMBER	
		263S	263L			263S	263L
★1	Tip Nut	T360-01	T360-01	9	Lever Pin	T560-46	T560-46
2	Cutting Head	T560-02	T560-02	10	Body	T560-20A	T560-20A
3	Tube	T560-03	T560-03L	11	O-Ring	R230-54	R230-54
4	Tube	T560-05	T560-05L	12	Valve Seat	T560-45	T560-45
5	Collar	T560-13	T560-13	13	O-Ring	T560-48	R195-61
6	Barrel	T560-14A	T560-14A	14	Spring	T560-23	T560-23
7	Screw	T360-16	T360-16	15	Valve Gland	T560-25	T560-25
8	Valve Lever	T560-50	T560-50	16	Valve Assembly	T263-82	T263-82

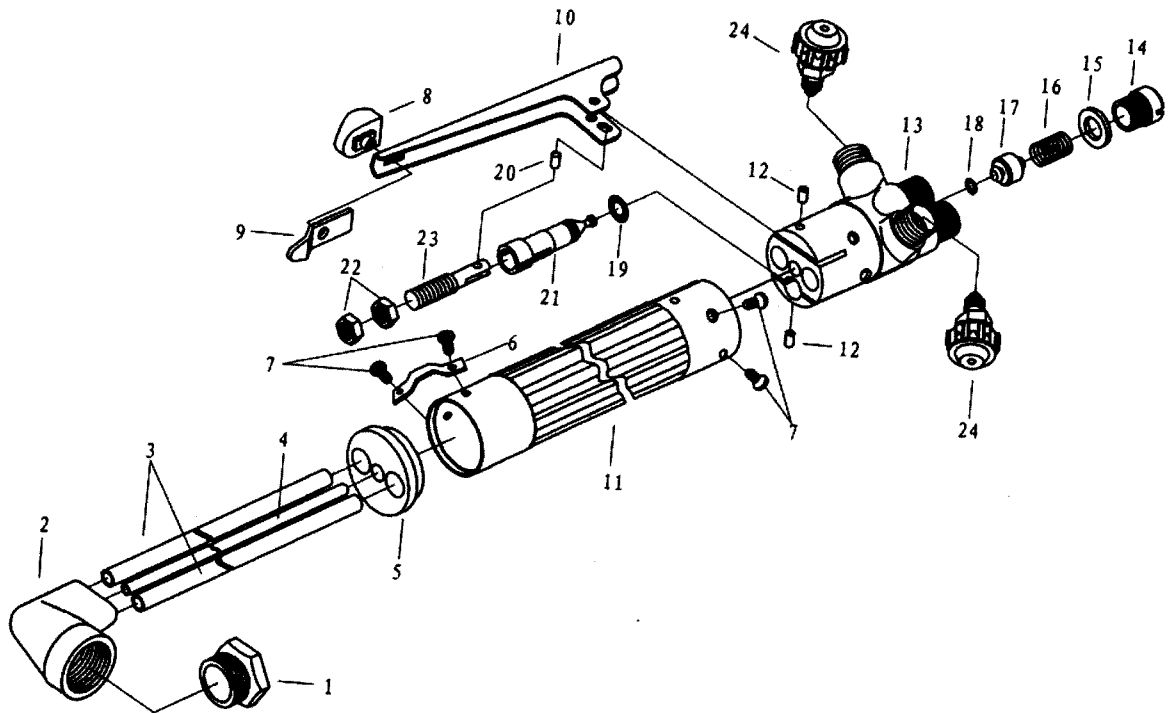
★ Items most commonly required for hand cutting torch repair and recommended for stock.

Repair kits include these items.



**MODEL INFORMATION**

MODEL NUMBER	CUTTING RANGE	WEIGHT	LENGTH	USES CUTTING TIP
363S	14"	2 lbs. 7 oz.	18"	672C AIRCO STYLE CUTTING TIPS

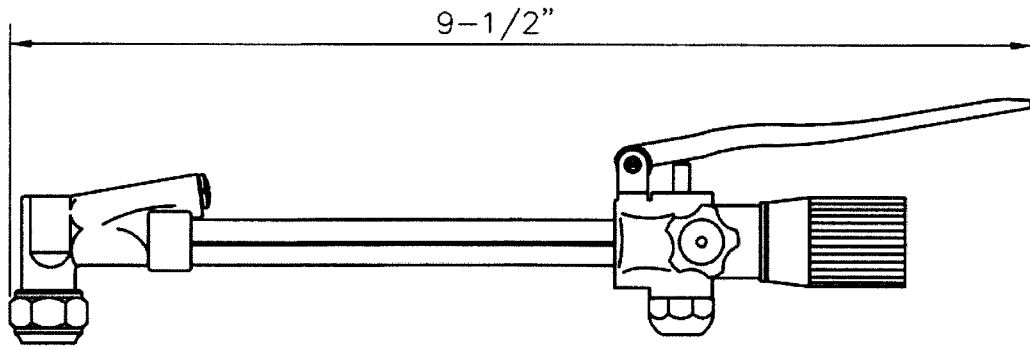


REF NO.	DESCRIPTION	MODEL NUMBER	REF NO.	DESCRIPTION	MODEL NUMBER
		363S			363S
★1	Tip Nut	T360-01	14	Valve Gland	T360-25
2	Cutting Head	T360-02	15	Washer	T360-24
3	Tube	T360-05	16	Spring	T360-23
4	Tube	T360-03	17	Valve Seat	T360-22
5	Collar	T560-13D	★18	O-Ring	R230-54
6	Crossbar Seat	T360-17	★19	O-Ring	T360-44A
7	Screw	T360-16	20	Handspike Pin	T360-46
★8	Crossbar Head	T360-57	21	Handspike Seat	T360-45
★9	Crossbar	T263-55	22	Nut	T360-48
10	Lever	T360-50	23	Handspike	T360-47
11	Barrel	T360-14	★24	Valve Assembly	T360-82
★12	Lever Pin	T360-43			
13	Body	T360-20A			

★ Items most commonly required for hand cutting torch repair and recommended for stock.

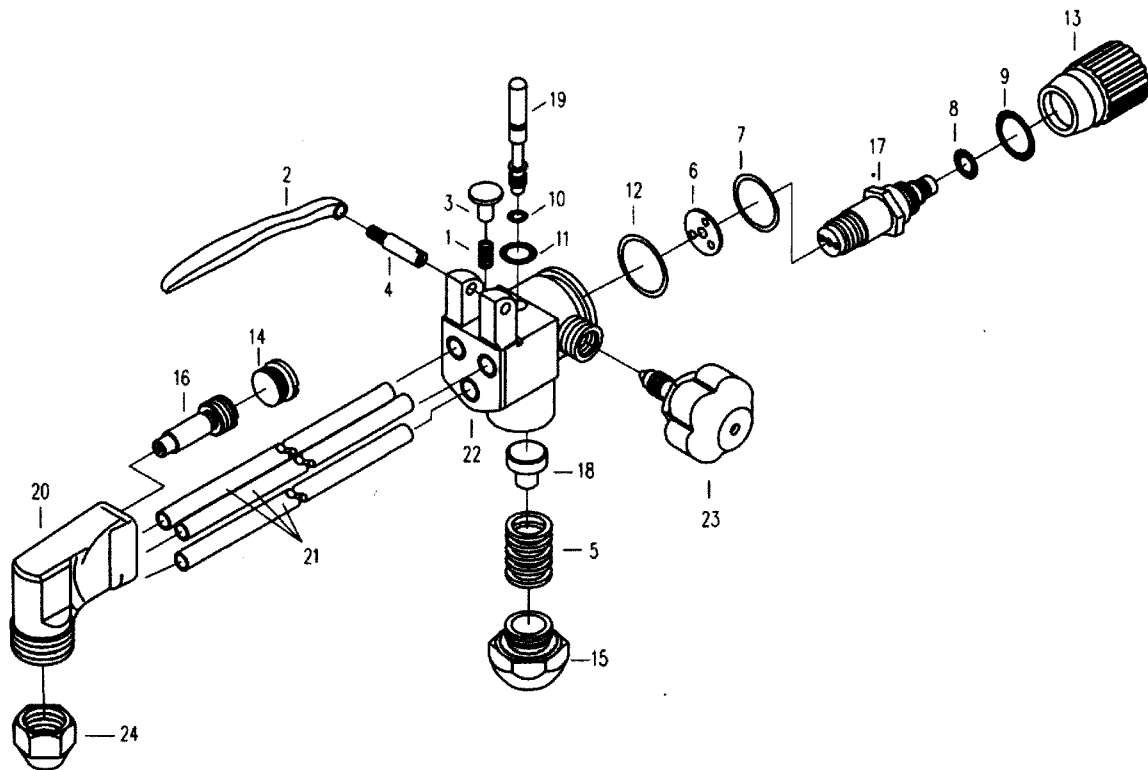
Repair kits include these items.





**MODEL INFORMATION**

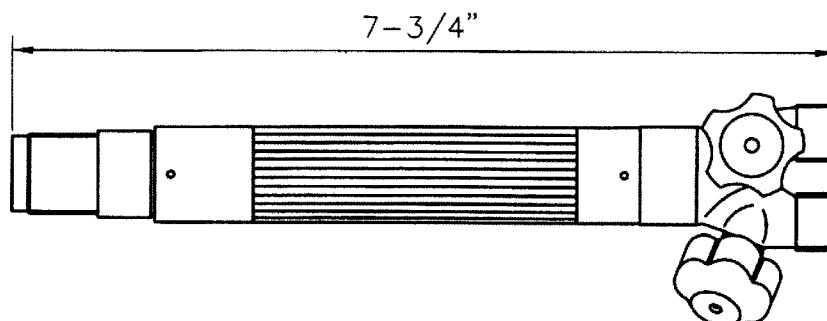
MODEL NUMBER	CUTTING RANGE	WEIGHT	LENGTH	HARRIS EQUIVALENT	USES TORCH HANDLE	USES CUTTING TIP
442C	5"	1.5lbs.	9-1/2"	72-3	442T	472C 472CN



REF NO.	DESCRIPTION	MODEL NUMBER	REF NO.	DESCRIPTION	MODEL NUMBER
		442C			442C
1	Spring	T220-47	13	Nut	T220-23A
2	Lever	T220-49A	★14	Valve Cap	T220-06
3	Lock Lug	T220-48A	15	Valve Cap	T220-39
4	Pin	T220-46	★16	Mixing Tube	T220-05
5	Spring	T220-38	17	Mixing Tube	T220-25A
6	Segregator	T220-21	18	Valve Seat	T220-37A
7	Washer	T220-24A	19	Piston	T220-40A
★8	O-Ring	T110-12	20	Cutting Head	T220-02
★9	O-Ring	T160-04	21	Tube	T220-04
★10	O-Ring	T220-41A	22	Body	T220-20A
★11	O-Ring	3361-0108	★23	Valve Stem Assembly	T220-82
12	Ouch	T220-18	★24	Tip Nut	T220-01

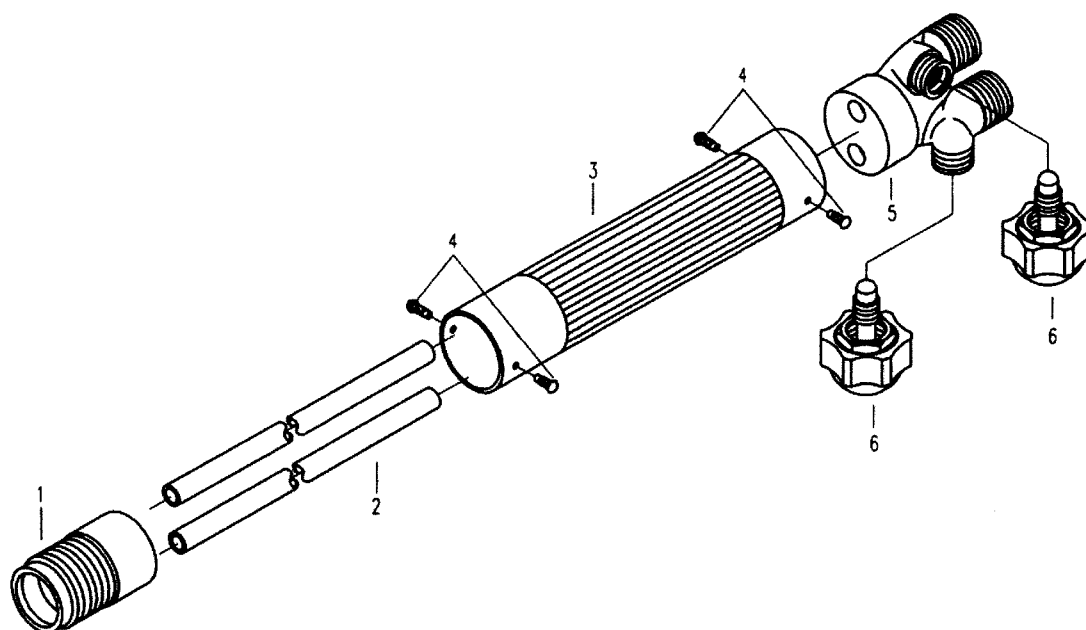
★Items most commonly required for cutting attachment repair and recommended for stock.

Repair kits include these items.



## MODEL INFORMATION

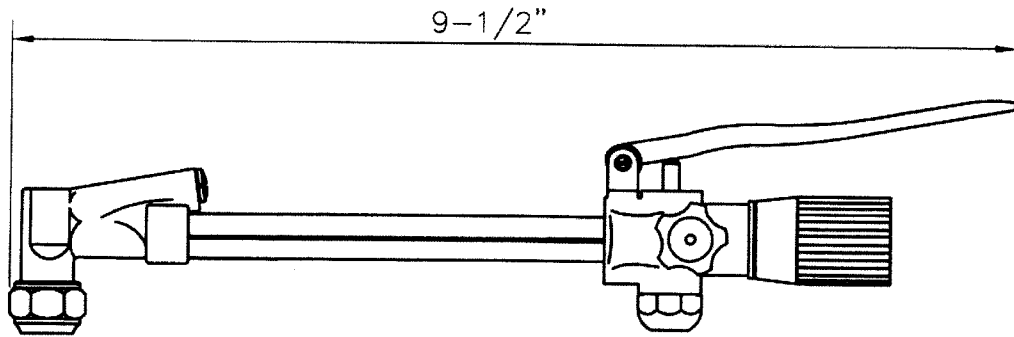
MODEL NUMBER	WELDING RANGE	WEIGHT	LENGTH	HARRIS EQUIVALENT	USES CUTTING ATTACHMENT	USES WELDING NOZZLE	USES HEATING NOZZLE
442T	1/2"	13.5 oz.	7-3/4"	85	442C	472W 472M	472H-2



REF NO.	DESCRIPTION	MODEL NUMBER	REF NO.	DESCRIPTION	MODEL NUMBER
		442T			442T
1	Torch Head	T220-50A	4	Screw	T220-51
2	Inner Tube	T220-53A	5	Valve Body	T220-54A
3	Barrel	T220-52A	★6	Valve Stem Assembly	T220-84

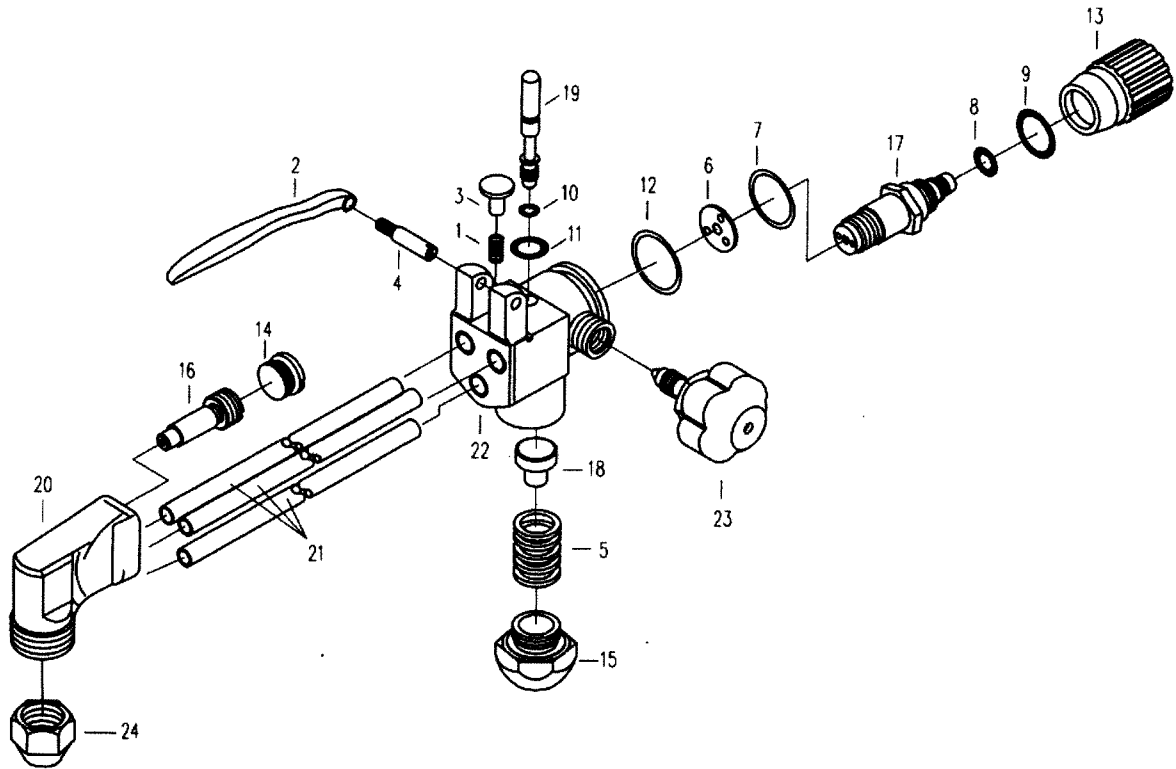
★Items most commonly required for torch handle repair and recommended for stock.

Repair kits include these items.



**MODEL INFORMATION**

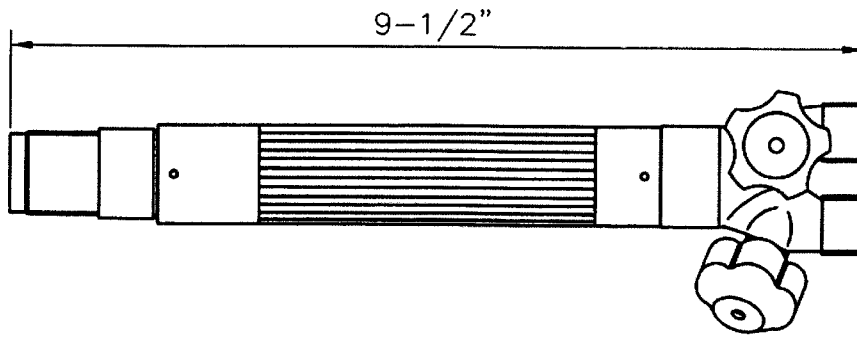
MODEL NUMBER	CUTTING RANGE	WEIGHT	LENGTH	HARRIS EQUIVALENT	USES TORCH HANDLE	USES CUTTING TIP
443C	6"	1.5lbs.	9-1/2"	73-3	443T	472C 472CN



REF NO.	DESCRIPTION	MODEL NUMBER	REF NO.	DESCRIPTION	MODEL NUMBER
		443C			443C
1	Spring	T220-47	13	Nut	T220-23
2	Lever	T220-49A	★14	Valve Cap	T220-06
3	Lock Lug	T220-48A	15	Valve Cap	T220-39
4	Pin	T220-46	★16	Mixing Tube	T220-05
5	Spring	T220-38	17	Mixing Tube	T220-25
6	Segregator	T220-21	18	Valve Seat	T220-37A
7	Washer	T220-24A	19	Piston	T220-40A
★8	O-Ring	T220-27	20	Cutting Head	T220-02
★9	O-Ring	T160-26	21	Tube	T220-04
★10	O-Ring	T220-41A	22	Body	T220-20A
★11	O-Ring	3361-0108	★23	Valve Stem Assembly	T220-82
12	Ouch	T220-18	★24	Tip Nut	T220-01

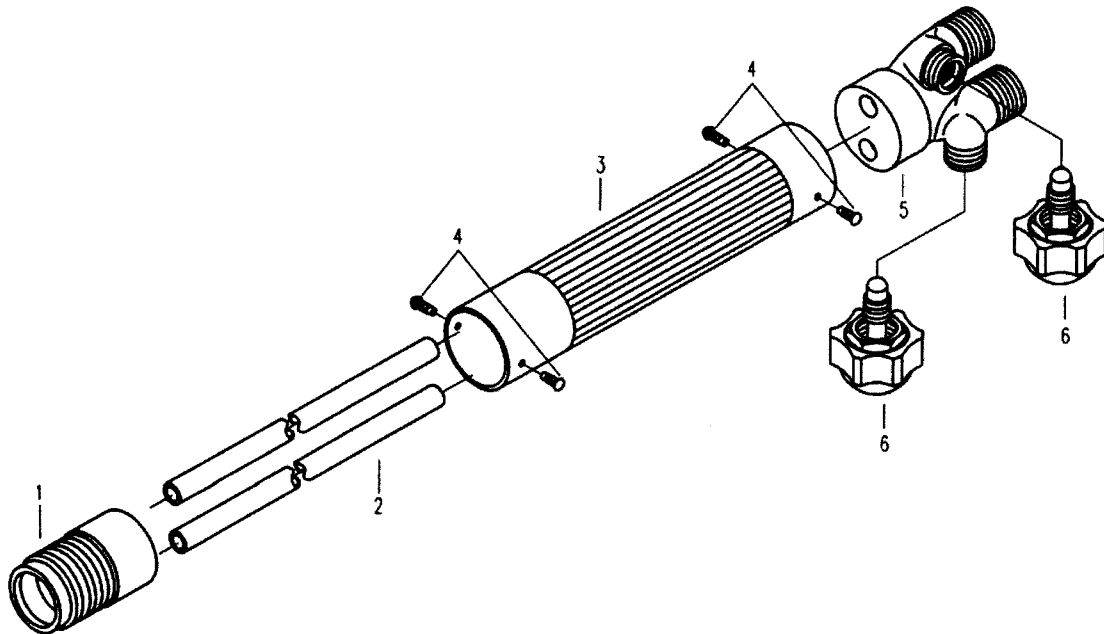
★Items most commonly required for cutting attachment repair and recommended for stock.

Repair kits include these items.



## MODEL INFORMATION

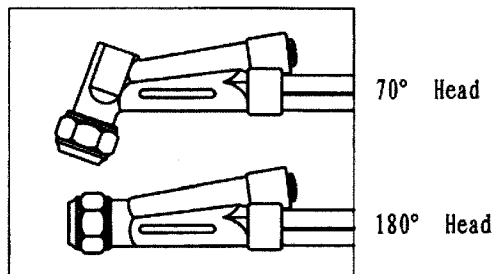
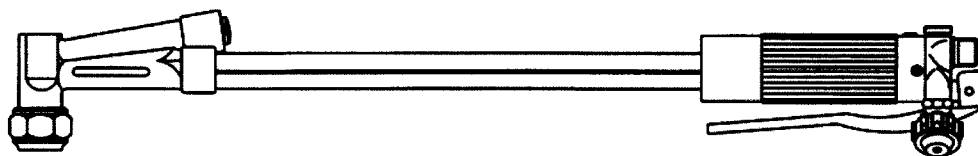
MODEL NUMBER	WELDING RANGE	WEIGHT	LENGTH	HARRIS EQUIVALENT	USES CUTTING ATTACHMENT	USES WELDING NOZZLE	USES HEATING NOZZLE
443T	1"	1.4lbs.	9-1/2"	43-2	443C	472W 473M	472H-2



REF NO.	DESCRIPTION	MODEL NUMBER	REF NO.	DESCRIPTION	MODEL NUMBER
		443T			443T
1	Torch Head	T220-50	4	Screw	T220-51
2	Inner Tube	T220-53	5	Valve Body	T220-54
3	Barrel	T220-52	★6	Valve Stem Assembly	T220-84

★ Items most commonly required for torch handle repair and recommended for stock.

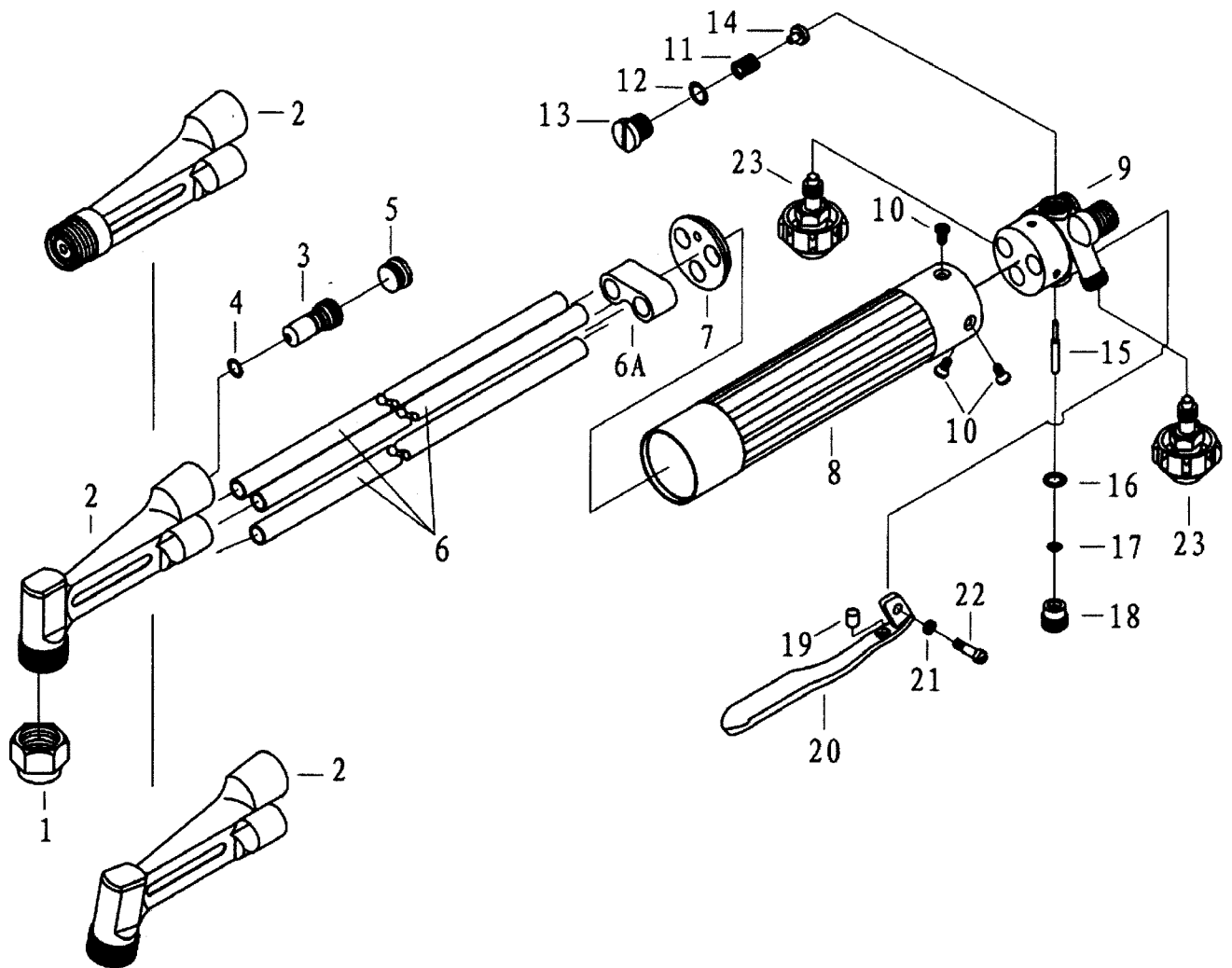
Repair kits include these items.



**MODEL INFORMATION**

MODEL NUMBER	HEAD ANGLE (DEGREES)	LENGTH	CUTTING RANGE	USES CUTTING TIP
463E	90°	18"	12"	472C
463EL-21	90°	21"		
463EL-36	90°	36"		
463AE	70°	18"		
463AEL-21	70°	21"		
463AEL-36	70°	36"		
463SE	180°	18"		
463SEL-21	180°	21"		
463SEL-36	180°	36"		

MODEL NUMBER	HEAD ANGLE (DEGREES)	LENGTH	CUTTING RANGE	USES CUTTING TIP
463AF	70°	18"	12"	472CN
463AFL-21	70°	21"		
463AFL-36	70°	36"		
463F	90°	18"		
463FL-21	90°	21"		
463FL-36	90°	36"		
463SF	180°	18"		
463SFL-21	180°	21"		
463SFL-36	180°	36"		





REF NO.	DESCRIPTION	MODEL NUMBER					
		463F	463FL-21	463FL-36	463AF	463AFL-21	463AFL-36
★1	Tip Nut	T220-01	T220-01	T220-01	T220-01	T220-01	T220-01
2	Cutting Head	T62-09F	T62-09F	T62-09F	T62-07F	T62-07F	T62-07F
★3	Mixer Tube	T663-05F	T663-05F	T663-05F	T663-05F	T663-05F	T663-05F
★4	O-Ring						
★5	Nut	T62-02F	T62-02F	T62-02F	T62-02F	T62-02F	T62-02F
6	Tube(3)	T663-04	T663-14	T663-24	T663-04	T663-14	T663-24
6A	Brace For Long Tubes			T663-60			T663-60
7	Collar	T663-50A	T663-50A	T663-50A	T663-50A	T663-50A	T663-50A
8	Barrel	T663-52A	T663-52A	T663-62A	T663-52A	T663-52A	T663-62A
9	Body	T62-20FA	T62-20FA	T62-20FA	T62-20FA	T62-20FA	T62-20FA
10	Screw	T360-16	T360-16	T360-16	T360-16	T360-16	T360-16
11	Spring	T663-38	T663-38	T663-38	T663-38	T663-38	T663-38
★12	O-Ring	R160-17	R160-17	R160-17	R160-17	R160-17	R160-17
13	Valve Gland	T663-39	T663-39	T663-39	T663-39	T663-39	T663-39
14	Valve Seat	T62-42	T62-42	T62-42	T62-42	T62-42	T62-42
★15	Valve Stem	T62-46	T62-46	T62-46	T62-46	T62-46	T62-46
★16	Washer	T62-43	T62-43	T62-43	T62-43	T62-43	T62-43
★17	O-Ring	T663-41	T663-41	T663-41	T663-41	T663-41	T663-41
18	Valve Cap	T663-44	T663-44	T663-44	T663-44	T663-44	T663-44
19	Lever Washer	T663-48	T663-48	T663-48	T663-48	T663-48	T663-48
20	Lever	T62-52	T62-52	T62-52	T62-52	T62-52	T62-52
★21	Spring Washer	T500-26	T500-26	T500-26	T500-26	T500-26	T500-26
★22	Lever Screw	T663-45	T663-45	T663-45	T663-45	T663-45	T663-45
★23	Valve Assembly	T663-82	T663-82	T663-82	T663-82	T663-82	T663-82

★Items most commonly required for hand cutting torch repair and recommended for stock.

Repair kits include these items.

REF NO.	DESCRIPTION	MODEL NUMBER					
		463E	463EL-21	463EL-36	463AE	463AEL-21	463AEL-36
★1	Tip Nut	T220-01	T220-01	T220-01	T220-01	T220-01	T220-01
2	Cutting Head	T62-09A	T62-09A	T62-09A	T62-07A	T62-07A	T62-07A
★3	Mixer Tube	T663-05E	T663-05E	T663-05E	T663-05E	T663-05E	T663-05E
★4	O-Ring	T62-04A	T62-04A	T62-04A	T62-04A	T62-04A	T62-04A
★5	Nut	T62-02A	T62-02A	T62-02A	T62-02A	T62-02A	T62-02A
6	Tube(3)	T663-04	T663-14	T663-24	T663-04	T663-14	T663-24
6A	Brace For Long Tubes			T663-60			T663-60
7	Collar	T663-50A	T663-50A	T663-50A	T663-50A	T663-50A	T663-50A
8	Barrel	T663-52A	T663-52A	T663-62A	T663-52A	T663-52A	T663-62A
9	Body	T62-20AA	T62-20AA	T62-20AA	T62-20AA	T62-20AA	T62-20AA
10	Screw	T360-16	T360-16	T360-16	T360-16	T360-16	T360-16
11	Spring	T663-38	T663-38	T663-38	T663-38	T663-38	T663-38
★12	O-Ring	R160-17	R160-17	R160-17	R160-17	R160-17	R160-17
13	Valve Gland	T663-39	T663-39	T663-39	T663-39	T663-39	T663-39
14	Valve Seat	T62-42	T62-42	T62-42	T62-42	T62-42	T62-42
★15	Valve Stem	T62-46	T62-46	T62-46	T62-46	T62-46	T62-46
★16	Washer	T62-43	T62-43	T62-43	T62-43	T62-43	T62-43
★17	O-Ring	T663-41	T663-41	T663-41	T663-41	T663-41	T663-41
18	Valve Cap	T663-44	T663-44	T663-44	T663-44	T663-44	T663-44
19	Lever Washer	T663-48	T663-48	T663-48	T663-48	T663-48	T663-48
20	Lever	T62-52	T62-52	T62-52	T62-52	T62-52	T62-52
★21	Spring Washer	T500-26	T500-26	T500-26	T500-26	T500-26	T500-26
★22	Lever Screw	T663-45	T663-45	T663-45	T663-45	T663-45	T663-45
★23	Valve Assembly	T663-82	T663-82	T663-82	T663-82	T663-82	T663-82

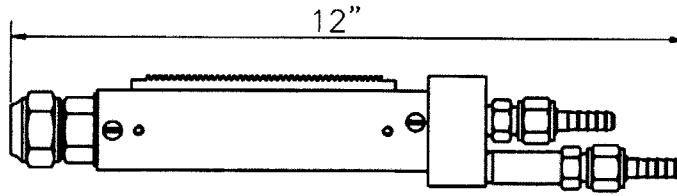
★Items most commonly required for hand cutting torch repair and recommended for stock.

Repair kits include these items.

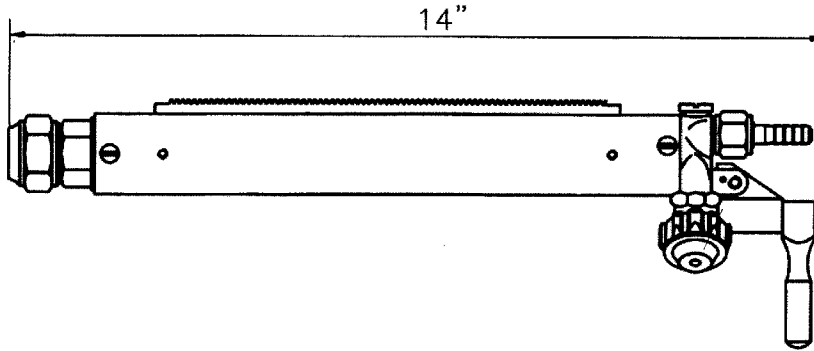
REF NO.	DESCRIPTION	MODEL NUMBER					
		463SE	463SEL-21	463SEL-36	463SF	463SFL-21	463SFL-36
★1	Tip Nut	T220-01	T220-01	T220-01	T220-01	T220-01	T220-01
2	Cutting Head	T62-18A	T62-18A	T62-18A	T62-18F	T62-18F	T62-18F
★3	Mixer Tube	T663-05E	T663-05E	T663-05E	T663-05F	T663-05F	T663-05F
★4	O-Ring	T62-04A	T62-04A	T62-04A			
★5	Nut	T62-02A	T62-02A	T62-02A	T62-02F	T62-02F	T62-02F
6	Tube(3)	T663-04	T663-14	T663-24	T663-04	T663-14	T663-24
6A	Brace For Long Tubes			T663-60			
7	Collar	T663-50A	T663-50A	T663-50A	T663-50A	T663-50A	T663-50A
8	Barrel	T663-52A	T663-52A	T663-62A	T663-52A	T663-52A	T663-62A
9	Body	T62-20AA	T62-20AA	T62-20AA	T62-20FA	T62-20FA	T62-20FA
10	Screw	T360-16	T360-16	T360-16	T360-16	T360-16	T360-16
11	Spring	T663-38	T663-38	T663-38	T663-38	T663-38	T663-38
★12	O-Ring	R160-17	R160-17	R160-17	R160-17	R160-17	R160-17
13	Valve Gland	T663-39	T663-39	T663-39	T663-39	T663-39	T663-39
14	Valve Seat	T62-42	T62-42	T62-42	T62-42	T62-42	T62-42
★15	Valve Stem	T62-46	T62-46	T62-46	T62-46	T62-46	T62-4
★16	Washer	T62-43	T62-43	T62-43	T62-43	T62-43	T62-43
★17	O-Ring	T663-41	T663-41	T663-41	T663-41	T663-41	T663-41
18	Valve Cap	T663-44	T663-44	T663-44	T663-44	T663-44	T663-44
19	Lever Washer	T663-48	T663-48	T663-48	T663-48	T663-48	T663-48
20	Lever	T62-52	T62-52	T62-52	T62-52	T62-52	T62-52
★21	Spring Washer	T500-26	T500-26	T500-26	T500-26	T500-26	T500-26
★22	Lever Screw	T663-45	T663-45	T663-45	T663-45	T663-45	T663-45
★23	Valve Assembly	T663-82	T663-82	T663-82	T663-82	T663-82	T663-82

★Items most commonly required for hand cutting torch repair and recommended for stock.

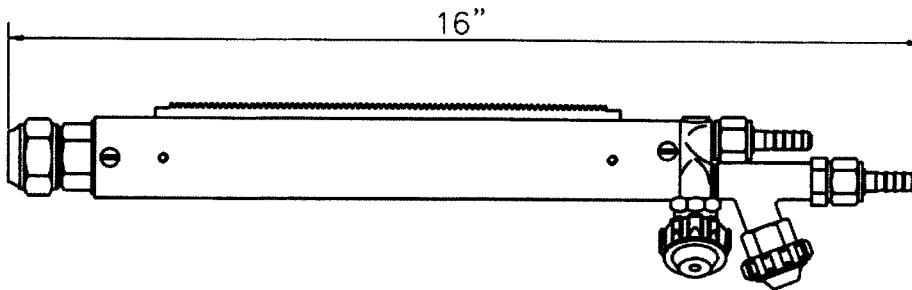
Repair kits include these items.



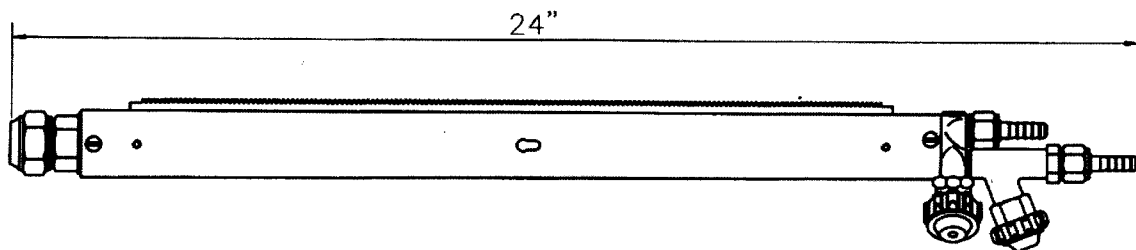
**MC105A ,MC105AR,MC105F,MC105FR**



**MC210A,MC210AR,MC210F,MC210FR**



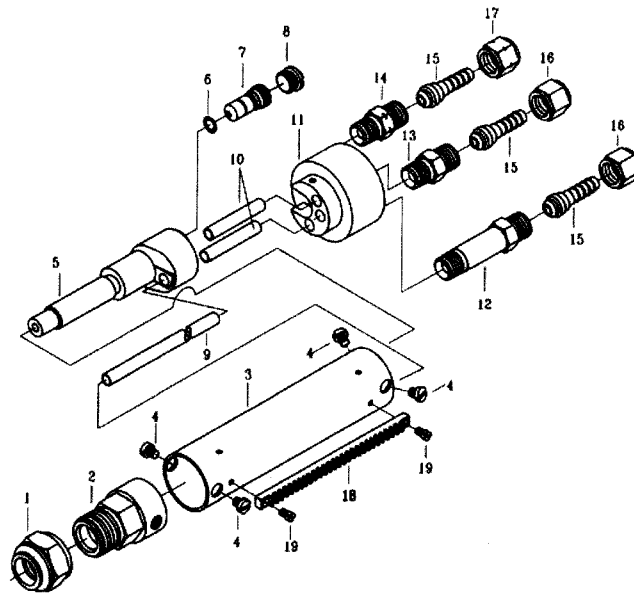
**MC310A,MC310AR,MC310F,MC310FR**



**MC318A,MC318AR,MC318F,MC318FR**

**MODEL INFORMATION**

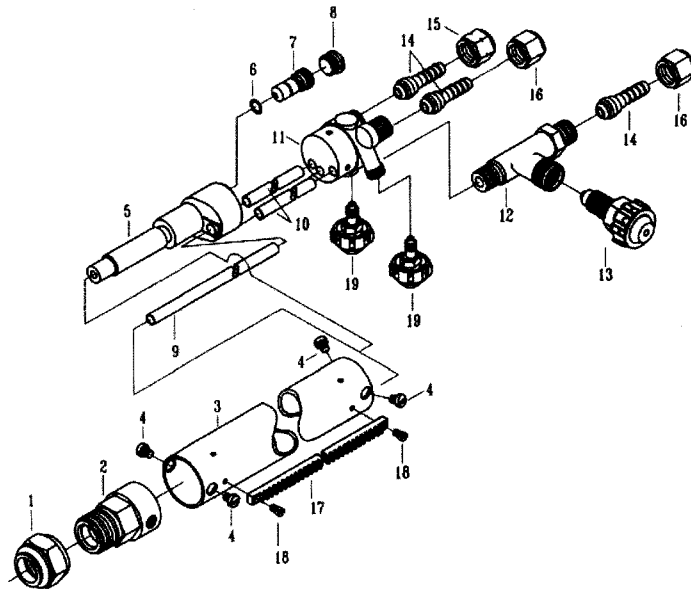
SERIES	MODEL NUMBER	CUTTING RANGE	BARREL LENGTH	RACKING LENGTH	USES CUTTING TIP
MC100	MC105A	10"	5-1/2"	N/A	173C
	MC105AR			4-1/2"	173CN
	MC105F			N/A	173CN
	MC105FR			4-1/2"	
MC200	MC210A	8"	10"	N/A	173C
	MC210AR			7"	173CN
	MC210F			N/A	173CN
	MC210FR			7"	
MC300	MC310A	12"	10"	N/A	173C
	MC310AR			7"	173CN
	MC310F			N/A	173CN
	MC310FR			7"	
	MC318A		18"	N/A	173C
	MC318AR			15"	173CN
	MC318F			N/A	173CN
	MC318FR			15"	



REF NO.	DESCRIPTION	MODEL NUMBER			
		MC105A	MC105AR	MC105F	MC105FR
★1	Tip Nut	T130-01B	T130-01B	T130-01B	T130-01B
2	Torch Head	MT300-01	MT300-01	MT300-01	MT300-01
3	Barrel	MT100-15	MT100-15	MT100-15	MT100-15
4	Screw	MT300-24	MT300-24	MT300-24	MT300-24
5	Mixer	MT300-03A	MT300-03A	MT300-03F	MT300-03F
★6	O-Ring	T62-04A	T62-04A		
★7	Mixing Tube	T663-05E	T663-05E	T663-05F	T663-05F
★8	Valve Cap	T62-02A	T62-02A	T663-07	T663-07
9	Tube	MT100-02	MT100-02	MT100-02	MT100-02
10	Tube	MT100-04	MT100-04	MT100-04	MT100-04
11	Body	MT100-06	MT100-06	MT100-06	MT100-06
12	Inlet Tube	MT100-05	MT100-05	MT100-05	MT100-05
13	Outlet Tube	R120-53	R120-53	R120-53	R120-53
14	Outlet Tube	R110-53	R110-53	R110-53	R110-53
15	Hose Nipple	JU1810 5/16"	JU1810 5/16"	JU1810 5/16"	JU1810 5/16"
16	Nut	NBU1818R	NBU1818R	NBU1818R	NBU1818R
17	Nut	NBU1818L	NBU1818L	NBU1818L	NBU1818L
18	Rack		MT100-16		MT100-16
19	Screw		MT300-25		MT300-25

★Items most commonly required for hand cutting torch repair and recommended for stock.

Repair kits include these items.



REF NO.	DESCRIPTION	MODEL NUMBER			
		MC310A	MC310AR	MC310F	MC310FR
★1	Tip Nut	T130-01B	T130-01B	T130-01B	T130-01B
2	Torch Head	MT300-01	MT300-01	MT300-01	MT300-01
3	Barrel	MT200-15	MT200-15	MT200-15	MT200-15
4	Screw	MT300-24	MT300-24	MT300-24	MT300-24
5	Mixer	MT300-03A	MT300-03A	MT300-03F	MT300-03F
★6	O-Ring	T62-04A	T62-04A		
★7	Mixing Tube	T663-05E	T663-05E	T663-05F	T663-05F
★8	Valve Cap	T62-02A	T62-02A	T663-07	T663-07
9	Tube	MT200-02	MT200-02	MT200-02	MT200-02
10	Tube	MT200-04	MT200-04	MT200-04	MT200-04
11	Body	MT300-06A	MT300-06A	MT300-06F	MT300-06F
12	Potentate Valve	MT300-18	MT300-18	MT300-18	MT300-18
★13	Valve Stem Assembly	MT300-82	MT300-82	MT300-82	MT300-82
14	Hose Nipple	JU1810 5/16"	JU1810 5/16"	JU1810 5/16"	JU1810 5/16"
15	Nut	NBU1818L	NBU1818L	NBU1818L	NBU1818L
16	Nut	NBU1818R	NBU1818R	NBU1818R	NBU1818R
17	Rack		MT200-16		MT200-16
18	Screw		MT300-25		MT300-25
★19	Valve Stem Assembly	MT200-82	MT200-82	MT200-82	MT200-82

★Items most commonly required for hand cutting torch repair and recommended for stock.  
Repair kits include these items.







REF NO.	DESCRIPTION	MODEL NUMBER			
		MC210A	MC210AR	MC210F	MC210FR
★1	Tip Nut	T130-01B	T130-01B	T130-01B	T130-01B
2	Torch Head	MT300-01	MT300-01	MT300-01	MT300-01
3	Barrel	MT200-15	MT200-15	MT200-15	MT200-15
4	Screw	MT300-24	MT300-24	MT300-24	MT300-24
5	Mixer	MT300-03A	MT300-03A	MT300-03F	MT300-03F
★6	O-Ring	T62-04A	T62-04A		
★7	Mixing Tube	T663-05E	T663-05E	T663-05F	T663-05F
★8	Valve Cap	T62-02A	T62-02A	T663-07	T663-07
9	Tube	MT200-02	MT200-02	MT200-02	MT200-02
10	Tube	MT200-04	MT200-04	MT200-04	MT200-04
11	Body	MT200-06A	MT200-06A	MT200-06F	MT200-06F
12	Valve Seat Assembly	T62-42	T62-42	T62-42	T62-42
13	Spring	T62-41	T62-41	T62-41	T62-41
★14	O-Ring	R160-17	R160-17	R160-17	R160-17
15	Valve Cap	T663-39	T663-39	T663-39	T663-39
16	Pin	MT200-17	MT200-17	MT200-17	MT200-17
17	Washer	T500-26	T500-26	T500-26	T500-26
18	Screw	T663-45	T663-45	T663-45	T663-45
19	Stopper	T62-46	T62-46	T62-46	T62-46
20	Washer	T663-42	T663-42	T663-42	T663-42
★21	O-Ring	T62-44	T62-44	T62-44	T62-44
22	Valve Cap	T663-44	T663-44	T663-44	T663-44
23	Shaft	MT200-07	MT200-07	MT200-07	MT200-07
24	Axletree	HK0709	HK0709	HK0709	HK0709
25	Shaft	MT200-09	MT200-09	MT200-09	MT200-09
26	Plank	MT200-08	MT200-08	MT200-08	MT200-08
27	Lever	MT200-10	MT200-10	MT200-10	MT200-10
28	Ball	MT200-18	MT200-18	MT200-18	MT200-18
29	Spring	MT200-12	MT200-12	MT200-12	MT200-12
30	Screw	MT200-11	MT200-11	MT200-11	MT200-11
31	Hose Nipple	JU1810 5/16"	JU1810 5/16"	JU1810 5/16"	JU1810 5/16"
32	Nut	NBU1818L	NBU1818L	NBU1818L	NBU1818L
33	Nut	NBU1818R	NBU1818R	NBU1818R	NBU1818R
34	Rack		MT200-16		MT200-16
35	Screw		MT300-25		MT300-25
★36	Valve Stem Assembly	MT200-82	MT200-82	MT200-82	MT200-82

★Items most commonly required for hand cutting torch repair and recommended for stock. Repair kits include these items.



# GENSTAR TECHNOLOGIES

GENSTAR TECHNOLOGIES  
10000 W. 10th Avenue, Suite 100  
Denver, CO 80202  
Tel: 303.755.1234  
www.genstar.com

